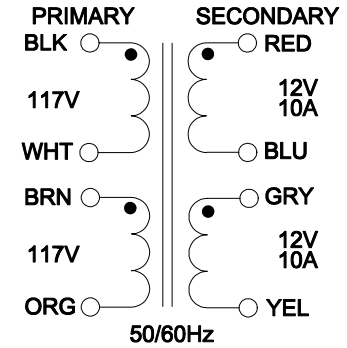
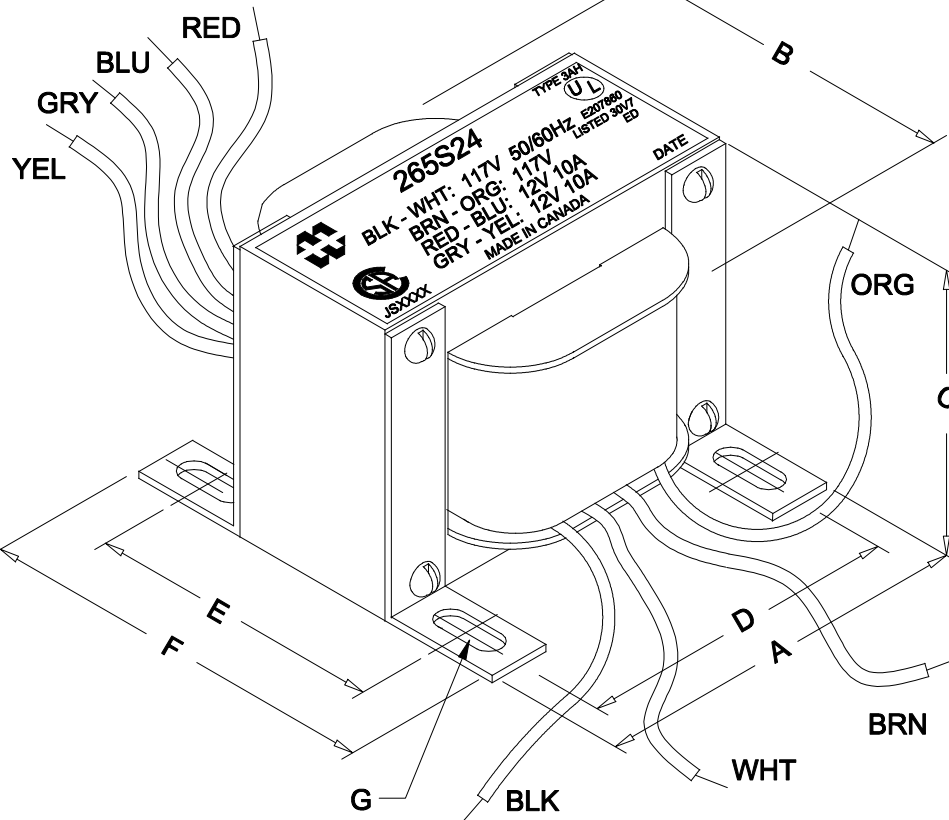


**DIMENSIONS:**

A	4.500" ±0.063
B	4.063" ±0.125
C	3.750" ±0.063
D	3.750" ±0.063
E	2.500" ±0.063
F	3.062" ±0.063
G	0.203" X 0.375" ±0.015



FOR 234V:  
CONNECT WHT & BRN

FOR 117V:  
CONNECT ORG & WHT,  
BRN & BLK

FOR SER. 24V @ 10A  
CONNECT GRY & BLU

FOR PAR. 12V @ 20A  
CONNECT YEL & BLU,  
RED & GRY

NOTE: ALL LEADS 9.0" LONG MIN.

ELECTRICAL DATA:		
TESTS	CONDITIONS	ACCEPTANCE CRITERIA
I <sub>ex</sub>	@ 117V, 60Hz, BLK - WHT	400mA Max.
Sec. N.L.V	@ 117V, 60Hz, BLK - WHT	
	BRN - ORG =	117.0V ±2%
	RED - BLU =	12.57V ±2%
	GRY - YEL =	12.57V ±2%
DCR	@ 20°C, WHT - BLK =	1.801 Ω ±20%
	@ 20°C, BRN - ORG =	1.994 Ω ±20%
	@ 20°C, RED - BLU =	0.024 Ω ±20%
	@ 20°C, GRY - YEL =	0.027 Ω ±20%
HIPOT	PRIMARY - SECONDARY	2000V, 60Hz, 1 SEC

REV.#	REVISION	DATE	HAMMOND ELECTRONIC DIVISION	
0	RELEASED. C.I.	12/30/13	52 RANKIN PLACE, WATERLOO, ONTARIO, N2J 3Z5	
			PH # (519) 886-6181	
			FAX # (519) 886-9540	
		DWG. BY: C. ILIE	TITLE: POWER TRANSFORMER	DWG. NO. 265S24
		DATE: 12/30/13	CHK'D BY:	
			APP'D. BY:	
			DIMENSIONS: IN(X) MM( )	